



Assembly Guide

Model Numbers:

12601711

13601831



ELECTRIC

(English)

42804710 • 01/02/13

CAUTION: For your safety, before operating, Read Product Guide & Outdoor Grilling Guide provided with this grill.

SAFETY First.....Grill components may have sharp edges. Be careful when handling grill parts during assembly. We suggest that you wear a sturdy pair of leather gloves while handling the grill parts.*

BEFORE You begin assembly of your grill....

1. Carefully remove all components from the carton.
2. Familiarize yourself with the components and hardware used for assembly.
3. Please note that hardware used for assembly may not be shown actual size..
4. After removing components from the carton, split the carton open and use it as a soft, scratch-free work pad to assemble your grill.

BEFORE You Grill....

1. Read Product Guide & Outdoor Cooking Guide
2. Position Grill Safely away from walls & structures.
3. Pre- Heat Grill—15 minutes on **5**, High to season grill.

NOTE....

Installer: Leave instructions with the grill.

Consumer: Retain instructions for reference.
Grill must be installed in accordance with local codes.....

Designed for outdoor use only...

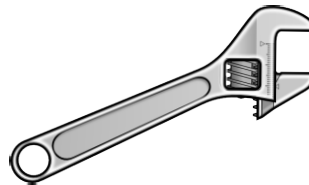
Read all instructions before operating...

TOOLS REQUIRED FOR ASSEMBLY

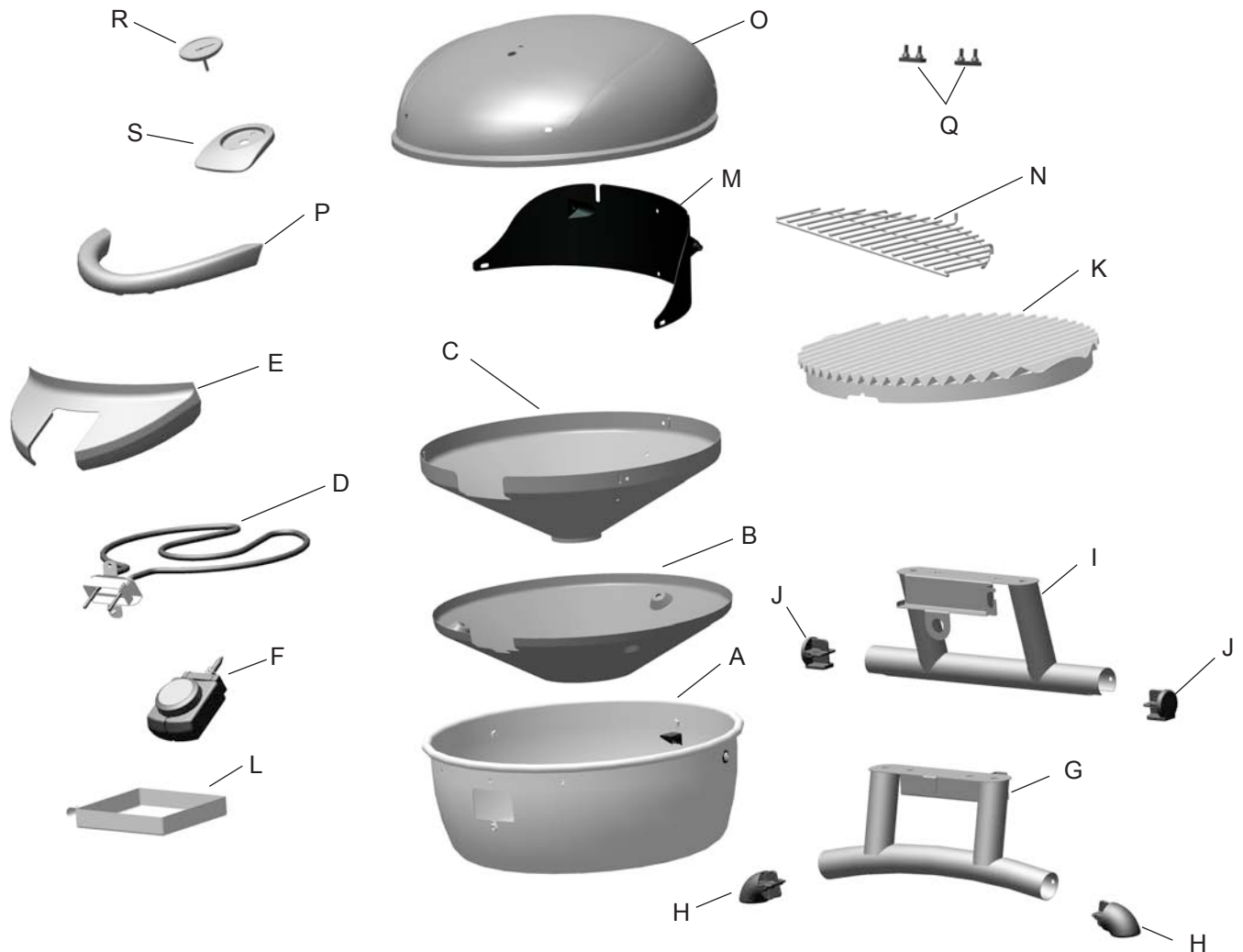
(Not Supplied)



Phillips Head
Screwdriver



Small Adjustable
Wrench



Key	Qty	Description
A	1	GRILL BOTTOM
B	1	HEAT SHIELD
C	1	INNER REFLECTOR
D	1	ELEMENT
E	1	CONTROL PANEL
F	1	THERMOSTAT
G	1	FRONT LEG ASSEMBLY
H	2	FRONT LEG CAP
I	1	REAR LEG ASSEMBLY
J	2	REAR LEG CAP
K	1	COOKING GRATE
L	1	GREASE TRAY
M	1	WIND SHIELD
N	1	WARMING RACK

Key	Qty	Description
O	1	TOP LID
P	1	LID HANDLE
Q	2	LID BUMPER
R	1	TEMPERATURE GAUGE
S	1	BEZEL, F/ TEMPERATURE GAUGE

NOT Pictured

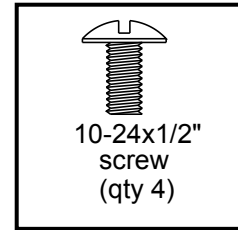
...	1	HARDWARE PACK
...	1	ASSEMBLY GUIDE, ENGLISH
...	1	ASSEMBLY GUIDE, SPANISH-OPTIONAL
...	1	ASSEMBLY GUIDE, FRENCH-OPTIONAL
...	1	PRODUCT GUIDE, ENGLISH
...	1	PRODUCT GUIDE, SPANISH-OPTIONAL
...	1	PRODUCT GUIDE, FRENCH-OPTIONAL
...	1	GRILLING GUIDE, ENGLISH
...	1	GRILLING GUIDE, SPANISH-WEB ONLY
...	1	GRILLING GUIDE, FRENCH-WEN ONLY

NOTE: Some grill parts shown in the parts list may differ slightly in appearance from those on your particular model.

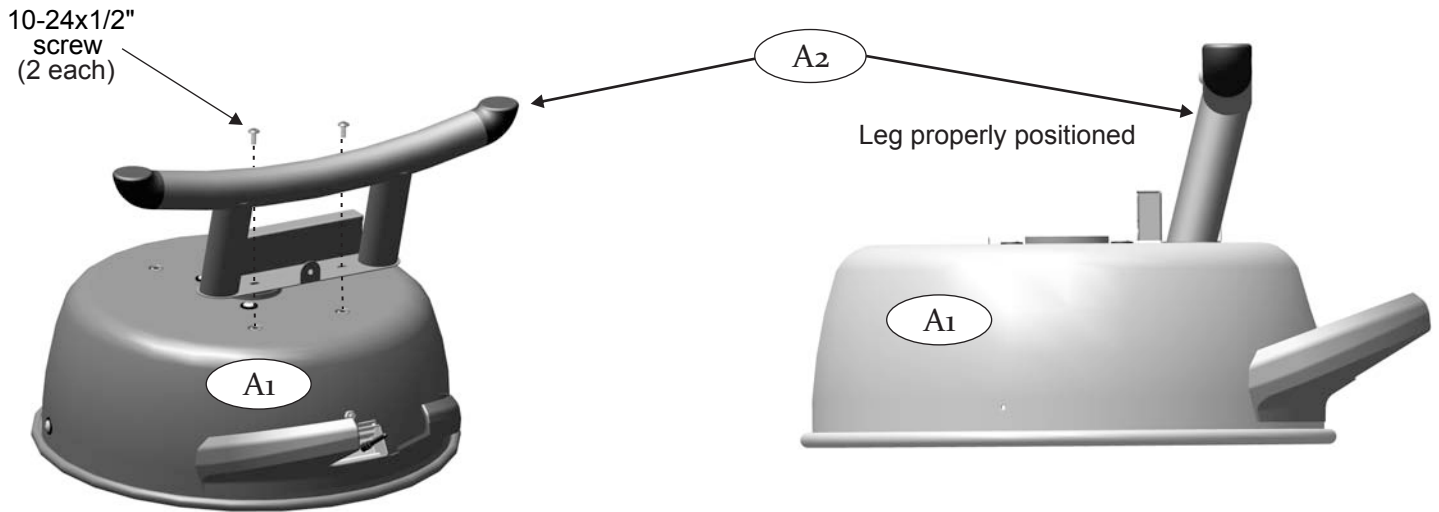
A

Part	Qty
A1- Lower Body	1
A2- Front Leg Assembly	1
A3- Rear Leg Assembly	1

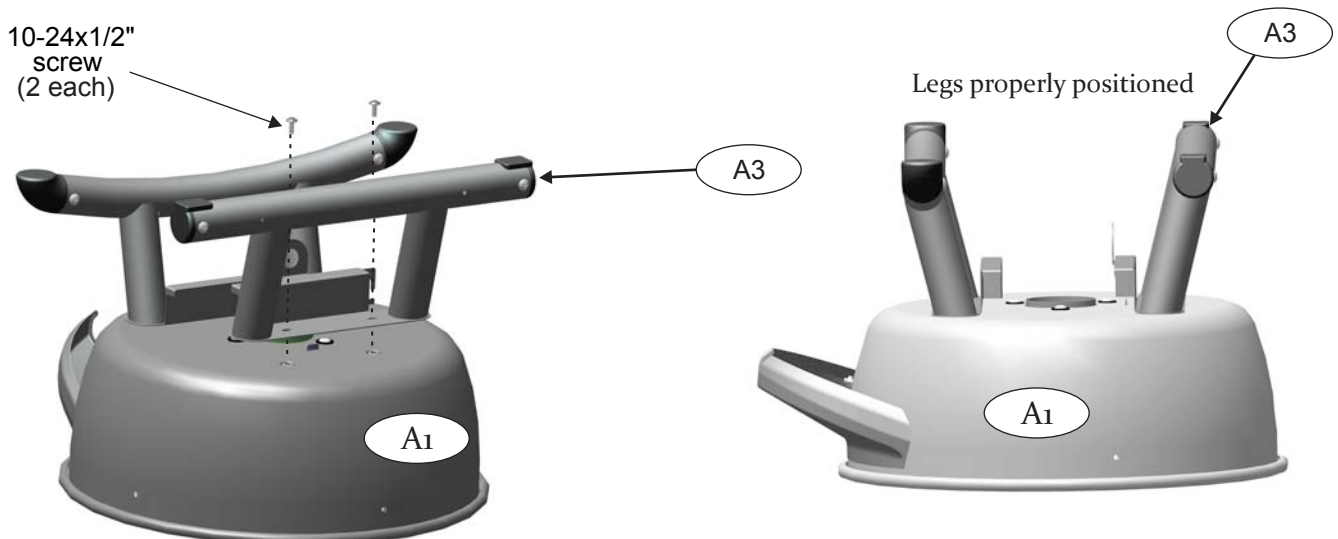
Fasteners



Step 1 - Place **Lower Body (A1)** upside down and attach **Front Leg Assembly (A2)** with two 10-24x1/2" screws. Make sure **Front Leg Assembly** is toward front of **Lower Body** as shown.



Step 2 - With **Lower Body (A1)** still upside down attach **Rear Leg Assembly (A3)** with two #10-24x1/2" screws. Make sure the **Rear Leg Assembly** is positioned as shown.

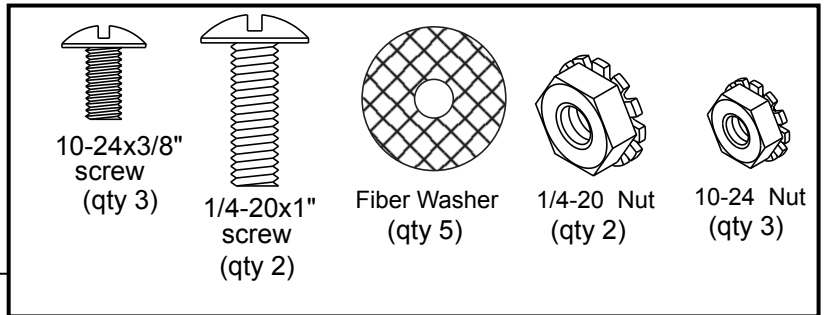


TURN GRILL UPRIGHT

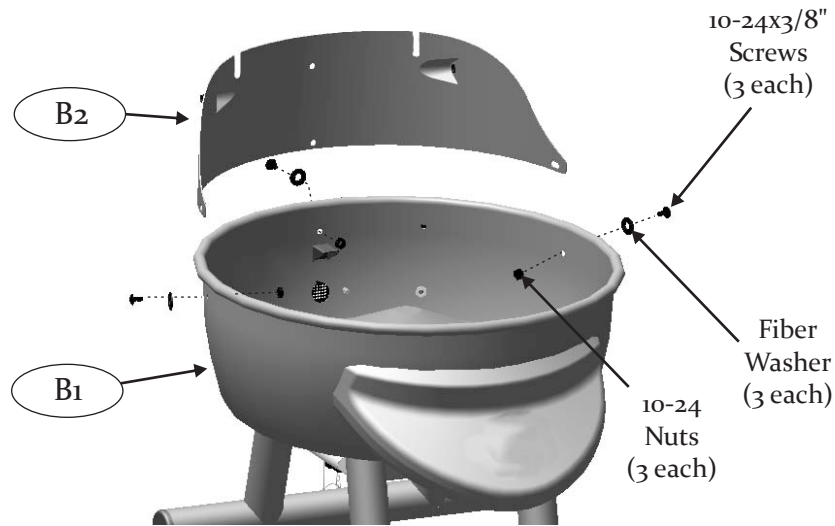
Fasteners

B

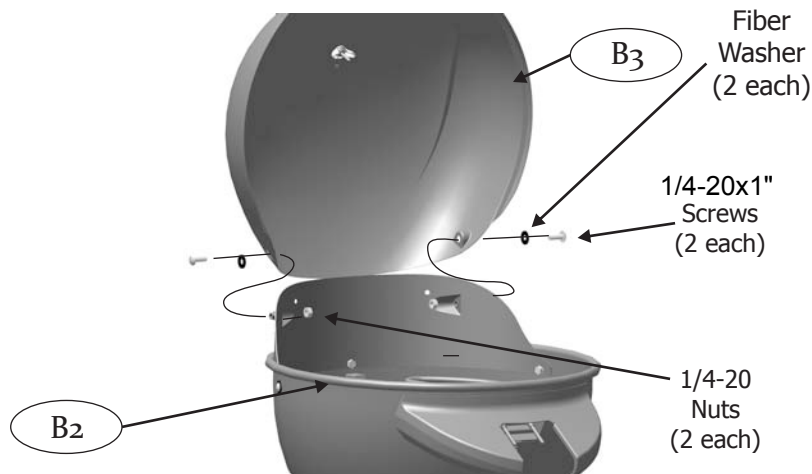
Part	Qty
B1 – Lower Body	1
B2 – Wind Shield	1
B3 – Grill Lid	1



Step 3 - Attach **Wind Shield (B2)** inside the **Lower Body (B1)** by aligning the holes in the **Wind Shield** with corresponding holes in the **Lower Body**. Place fiber washer over 10-24x3/8" screw and then insert screw with washer through hole in the center of the back and secure with 10-24 nut. Repeat for other 2 holes.



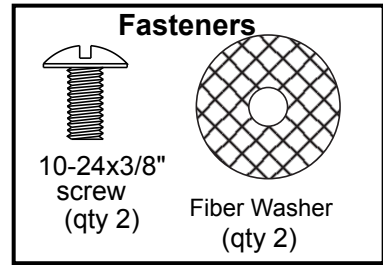
Step 4 - Attach the **Grill Lid (B3)** by aligning the hinge holes in the **Grill Lid** over the hinge pin in the **Wind Shield (B2)**. Insert fiber washer over 1/4-20x1" screw then insert screw through hinge pin hole and secure using 1/4-20 nut from the inside of the grill. Repeat for other side.



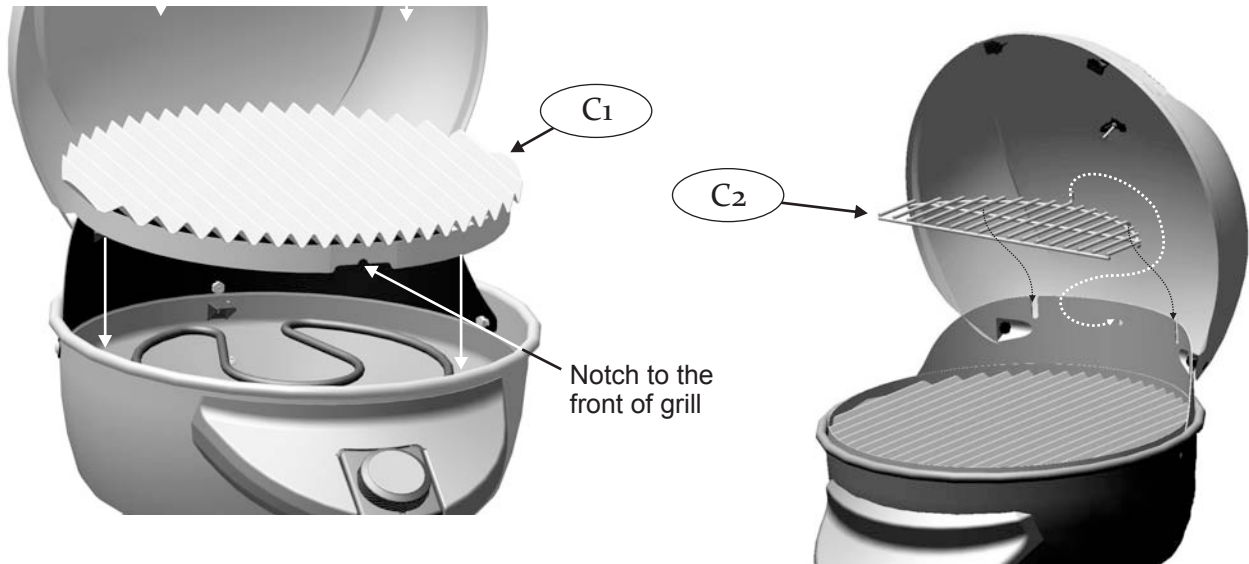
C

Part	Qty.
C1 – Cooking Grate	1
C2 – Warming Rack	1
C3 – Handle	1
C4 – Grease tray	1

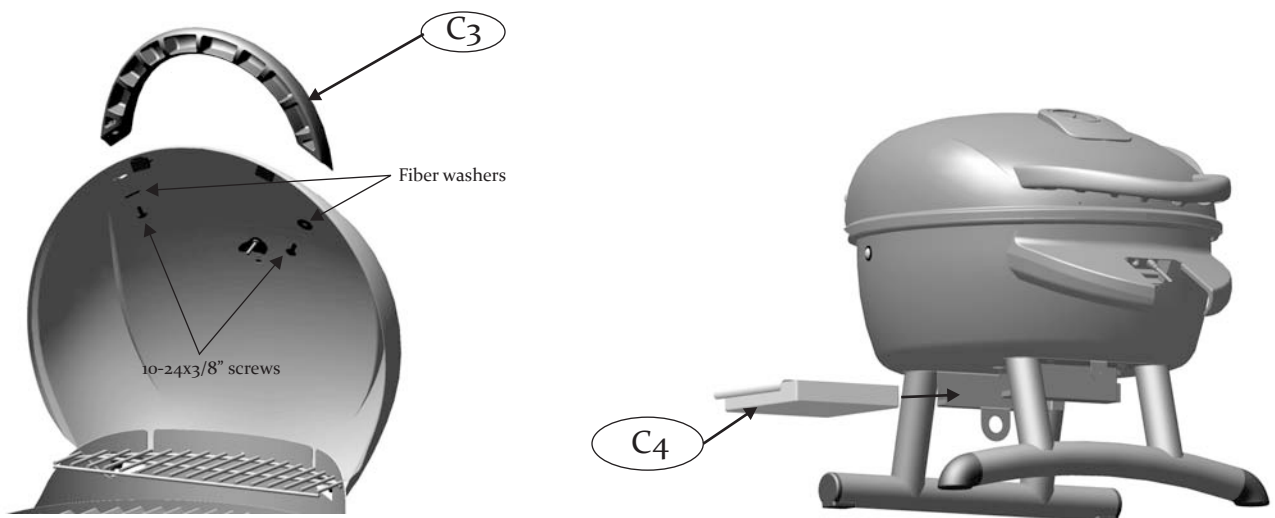
NOTE: The Cooking Grate may have sharp edges. Be very careful when handling the **Cooking Grate**. You should wear gloves when handling the **Cooking Grate**.

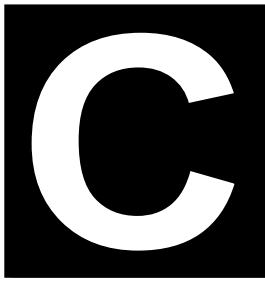


Step 5 - With Grill Lid open, place the **Cooking Grate** (C1) into the **Lower Body**, allowing it to rest on the three brackets spaced around the **Lower Body**. Be sure the notch in the cooking grate is facing the front of the grill. Place the **Warming Rack** (C2) on to position by first hooking the center pin into the hole in the wind shield, then rotate the warming rack down into position, with other pins secured in the slots.



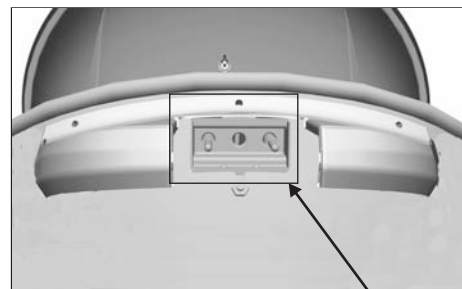
Step 6 - With Grill Lid open, install the **Handle** (C3) to the lid. Insert 2 10-24x3/8" screws from inside the lid through the lid holes, and into the handle. Repeat for other side - tighten securely. Install **Grease Tray** (C4) by sliding the tray onto the Grease tray rails from the side of the grill.



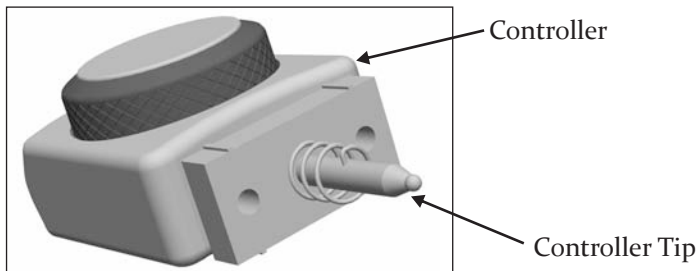


Part	Qty.
C5 – Controller	1

Step 7 - Install the **Controller (C5)** into the receptacle. The control knob should be facing up as you engage the tip of the controller into the receptacle. Push the controller in all the way until you hear a click, this will ensure your controller is installed properly.



Receptacle



Ground Fault Interrupter

- Since 1971 the National Electric Code (NEC) has required Ground Fault Interrupter devices on all outdoor circuits.
- If your residence was built before 1971, check with a qualified electrician to determine if a Ground Fault Interrupter protector exists.
- Do not use this appliance if the circuit does not have GFI protection.
- Do not plug this appliance into an indoor circuit.

